

## Single Room UFH Control Pack

### OVERVIEW

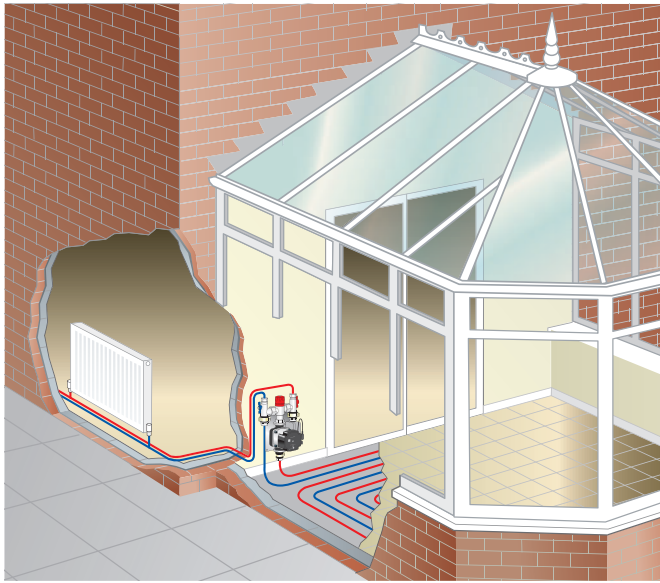
A modular control pack for underfloor heating systems. Designed to be lightweight and compact in order to connect directly onto pipework without the need for extra brackets or support. The control pack consists of a mixing valve, an 'A' rated 7 metre circulating pump, isolating valves, flow and return connections and fixing kit. Ideal for small areas like kitchens, bathrooms and conservatories.

### FEATURES AND BENEFITS

- Easy set up within the adjustable range of 25°C to 60°C
- Controls flow temperature to +/- 2°C even with changing boiler flow and return temperatures
- An integrated unit to automatically control underfloor heating temperatures in small areas
- Includes isolating valves as standard

Product	Inlet/Outlet	Code
Single Room UFH Control Pack with 'A' rated pump	15mm x 1/2" FBSP	UFHC980357

**TYPICAL INSTALLATION**



**MATERIALS**

**Mixing Valve**

- O-Rings: Viton
- Body: Gunmetal
- Spring: Stainless steel
- Piston: Acudel
- Machined brass parts: DZR brass

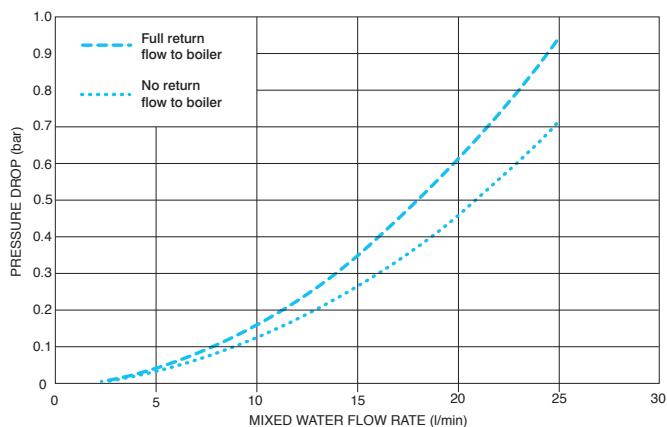
**Isolating Valves**

- Seals: EPDM
- Ball: Chrome plated brass
- Seats: PTFE
- Handles: Epoxy coated steel

**Other**

- Backplate: Passivated mild steel
- Clips: Rubberised clip-on
- Outlet connector: Standard brass
- Pump nuts: Standard brass

**FLOW RATES**



**SPECIFICATIONS**

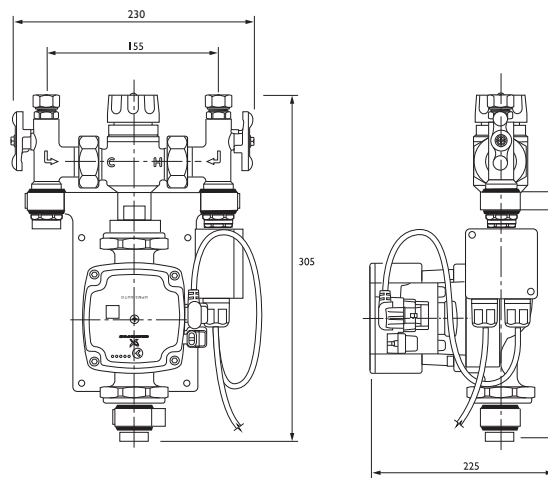
- Hot temperature supply range: 60°C - 85°C
- Adjustable temperature range: 25°C - 60°C
- Maximum supply pressure: 10 bar
- Factory set temperature range: 45°C +/- 2°C
- Temperature stability: +/- 2°C
- Connections: Mixing valve inlets 15mm  
Manifold connections 1/2" FBSP

**SPARES AND ACCESSORIES**

Product	Inlet/Outlet	Code
Heatguard 110 UFH with pump flange	1" MBSP	HEAT110710
UFH Blending Valve Service Kit	N/A	SKIT980021
UPM3 Flex 'A' rated pump	1 1/2" MBSP	PUMP950270
Service Valve UFHC - Blue	15mm x 1" Union	SERV271030
Service Valve UFHC - Red	15mm x 1" Union	SERV271031
Pre-wired Connection Box with thermostat	N/A	ZCON980357
Pump Connecting Wire	N/A	WIRE950200

**DIMENSIONS**

All dimensions in mm unless specified otherwise



**CONNECTION LAYOUT**

